

*The* PORTABLE **BAPTISTRY**  
**HEATER**



PORTABLE **BAPTISTRY.COM**

# Specifications and Safety Information

**120V / 240V Convertible • Thermostat controlled • GFCI Protected (120V)**  
**120V = 1500 W/12.5A • 240V = 6000W/25A**

The Portable Baptistry Heater is a circulation style heater that is designed for use with the Portable Baptistry™, as well as any baptismal tank, moveable or permanent. It operates in conjunction with the Submersible Pump and Thermal Cover included with every Portable Baptistry™.

**The Temperature Knob on the front of the Heater controls the internal thermostat which is calibrated to a maximum water temperature when set to “HIGH” of 98° to 102°F (approx. 38°C). Comfortable water temperature for baptism is generally considered to be 80° to 95°F, depending on ambient room temperature.**

For optimal Portable Baptistry Heater performance when used with the Portable Baptistry™:

- Set up the Portable Baptistry Heater indoors in an ambient room temperature above 65°F
- Fill the Portable Baptistry to no more than 3 inches from the top of the baptistry
- Use the Portable Baptistry Thermal Cover floating in place on the water in the baptistry

The Portable Baptistry Heater can be used with other type of baptistries. Heater performance will be subject to the baptistry's size (gallonage), the baptistry's insulation and use of thermal covering to prevent heat loss, and ambient room temperature.

## Maximum Convenience of 120 volt Configuration

The Portable Baptistry Heater is pre-configured for 120 volt and plugs into a standard 15 amp grounded receptacle, allowing immediate and convenient use.

**IMPORTANT:** The Baptistry must have the Thermal Cover in place, floating on the water, to prevent heat loss during the heating process. **Without the Thermal Cover on the Baptistry, the water temperature will not heat up using 120V.**

## Maximum Performance of 240 volt Configuration Conversion

The Portable Baptistry Heater can be easily converted by an electrical professional to 240 volt for more powerful use.

**IMPORTANT:** When converting the wiring of this Heater for 240 volt use, the Power Cord and Plug replacement must be 4 wire, 8 to 10 AWG Cord, and 240V, 30A, 4 prong Plug. The 240V Circuit Breaker installed in the facility breaker panel, **MUST BE** a 240 volt, GFCI protected, 30A Circuit Breaker. See the enclosed schematic for proper wiring.

**WARNING! Only electrical professionals should convert the Portable Electric Heater wiring for 240V use.**

## Monitoring Heater Performance during 120 volt use

**IMPORTANT:** **To the human touch, the water temperature will not feel warmer coming out of the Portable Electric Heater during 120 volt heater operation.** Remember, it is heating up the whole Portable Baptistry™ 1°F per hour on 120 volt, unlike the more obvious *feel* of 4°F rise per hour on 240 volt.

Therefore, please use an actual Thermometer to establish and log your starting water temperature, and to then monitor the progress until the water temperature reaches approx. 80°F, and feels more obvious to the touch.

Convenient Floating Thermometers are available for purchase from [PortableBaptistry.com](http://PortableBaptistry.com)

## Comfortable Water Temperature for Immersion Baptism

Generally, comfortable water temperature for Baptism ranges from of 80°F to 95°F. If starting water temperature is 60°F for example, allow 24 hours of heat up time to reach a comfortable 84°F (1°F rise/hour on 120v).

**NOTE:** During the winter when tap water temperatures are generally colder, it is recommended that the Portable Electric Heater be started 30 to 36 hours ahead of Baptism Service, to allow enough time to heat the Portable Baptistry™ to the comfortable Baptism temperature range.

## **IMPORTANT WARNINGS TO PREVENT FIRE, ELECTRIC SHOCK & EQUIPMENT DAMAGE**

**WARNING: DO NOT PLACE HEATER IN WATER. OPERATE HEATER A MINIMUM OF 6 FEET FROM BAPTISTRY.**

**WARNING: STAND HEATER UPRIGHT DURING OPERATION TO AVOID DAMAGING MALFUNCTION AND POTENTIAL INJURY.**

**WARNING: PLUG HEATER AND PUMP INTO INDEPENDENT, FULLY GROUNDED ELECTRICAL OUTLETS ONLY.**

**WARNING: DO NOT ENTER BAPTISTRY WHEN HEATER AND PUMP ARE OPERATING OR OTHERWISE PLUGGED IN.**

**WARNING: KEEP HEATER DRY DURING OPERATION AND STORAGE TO PREVENT EQUIPMENT DAMAGE AND POTENTIALLY FATAL ELECTRIC SHOCK.**

**WARNING: IF HEATER OR POWER CONNECTIONS BECOME WET, UNPLUG IMMEDIATELY AND DRY THOROUGHLY BEFORE PLUGGING IN.**

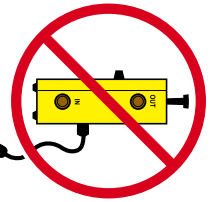
**WARNING: ALWAYS UNPLUG AND REMOVE HEATER AND PUMP FROM THE BAPTISTRY AREA BEFORE ENTERING THE BAPTISTRY.**

**WARNING: TO AVOID ELECTRIC SHOCK AND INJURY, ALL REPAIRS AND MODIFICATIONS TO THE HEATER, INCLUDING BUT NOT LIMITED TO CONVERTING THE HEATER TO 240V, SHOULD ONLY BE DONE BY A QUALIFIED ELECTRICAL PROFESSIONAL.**

# Heater Operation: Setting Up The Circulation Loop

The Portable Baptistry Electric Heater is configured for 120V and plugs into a standard 15A grounded receptacle. The Heater, using the 2 included Hoses, operates in conjunction with the Submersible Drain Pump and the Thermal Cover that are included with every Portable Baptistry from PortableBaptistry.com.

The Drain Pump and Hoses circulate the water from the Baptistry thru the Heater, and back to the Baptistry.



## SETTING UP THE CIRCULATION LOOP STEP 1 THRU 10 (See diagram below)

**Step 1.** Stand the Heater upright, the Handle on top, a safe distance of 6 feet from the Portable Baptistry.

**CAUTION: DO NOT OPERATE THE PORTABLE ELECTRIC HEATER LYING ON ITS BACKSIDE.**

**Step 2.** With Portable Baptistry pre-filled or filling, connect the Garden Hose (included) to the Submersible Pump (see ①).

**Step 3.** Connect the other end of Garden Hose to the Water Inlet Brass Fitting on the lower right side of Heater (see ①).  
**NOTE:** The Heater's Water Brass Hose Fittings are labeled on the right side of Heater between the Fittings.

**Step 4.** Connect second Garden Hose (included) to the Water Outlet Brass Fitting on the upper right side of Heater (see ②).

**Step 5.** Place both the unconnected end of the second Garden Hose, and the Submersible Pump into the Baptistry (see ②).

**Step 6.** Plug in the Submersible Pump to a grounded 120 volt power outlet, and confirm water flow circulation from the Pump, to the Heater, and back into the Baptistry.

**IMPORTANT: CHECK THE GARDEN HOSE CONNECTIONS FOR LEAKS AND HAND TIGHTEN FITTINGS ACCORDINGLY.**

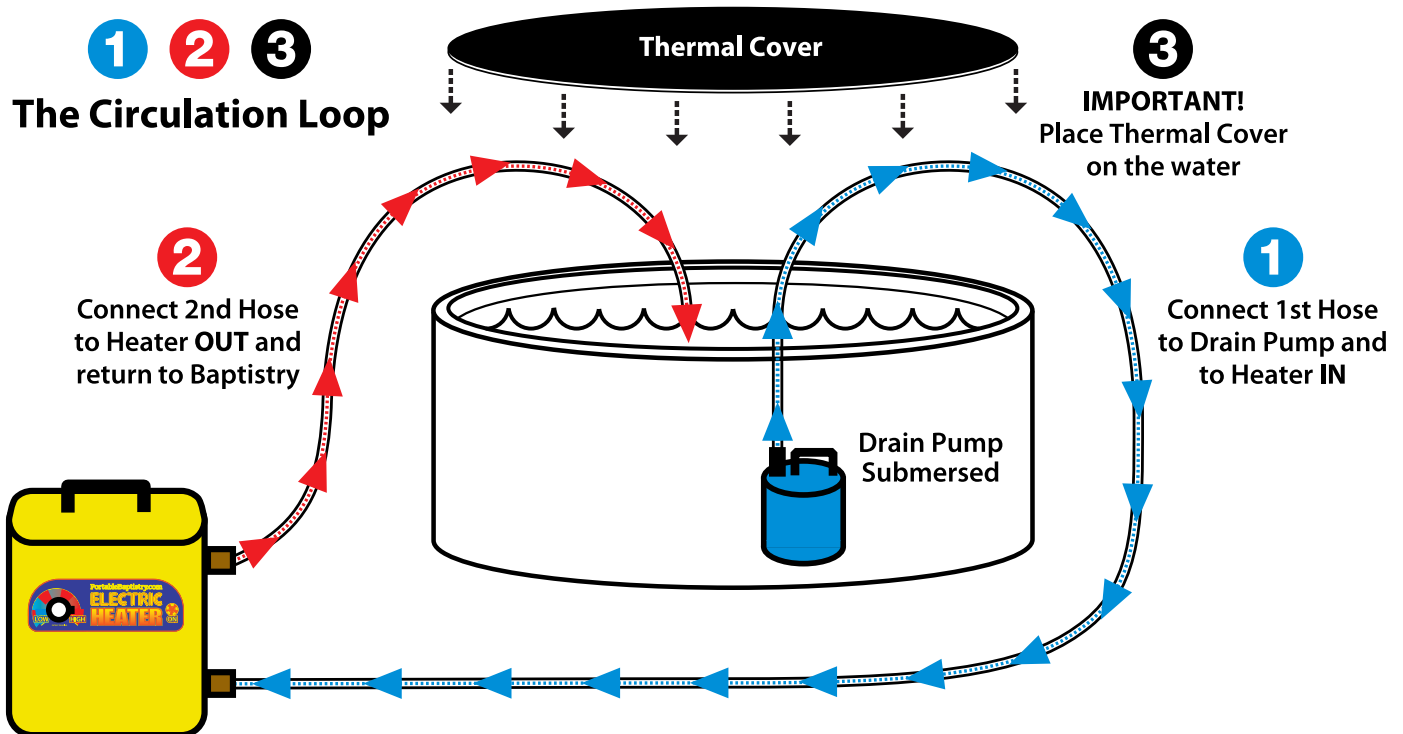
**Step 7.** Plug in the Heater to a grounded 120 volt power outlet, turn the Temperature Knob towards "HIGH", and check to see that the Indicator Light on the front of the Heater located to the right of the Temperature Knob is on.

**Step 8.** Place the floating Thermal Cover on the water surface of the Baptistry to prevent heat loss during heating process.

**IMPORTANT: WITHOUT THE THERMAL COVER ON BAPTISTRY, THE WATER WILL NOT HEAT UP ON 120 VOLT (see ③).**

**Step 9.** Turn the Temperature Knob to adjust the water temperature to the preferred setting. The maximum water temperature setting on 'High' is approximately 98° to 102°F. Generally, a comfortable water temperature for baptism is 80° to 95°F. **NOTE:** The Indicator Light on the Heater front will turn off when the water temperature reaches the desired setting.

**CAUTION: BEFORE ENTERING THE BAPTISTRY, UNPLUG PUMP AND HEATER AND REMOVE THE PUMP/HEATER CIRCULATION LOOP SETUP FROM THE BAPTISTRY.**



# Heater Operation (Continued)

**Step 10.** To remove the Heater, Pump and Hoses from the Baptistry, and to avoid siphoning the water from the Baptistry and onto the floor, lift up the Heater higher than the water level in the Baptistry, and allow the entire length of the Hoses and Pump to be in the Baptistry while loosening and disconnecting the Hoses from Heater. Drain any remaining water still inside the Heater by tilting the Heater 90° towards the water IN/OUT fittings on the right side of Heater. Then, remove Hoses and Pump from Baptistry, allowing any water in the Hoses to drain into the Baptistry.

**IMPORTANT:** Prior to storing, the Portable Electric Heater should be thoroughly drained of water by emptying any remaining water out thru the water IN/OUT fittings.

**Do not store the Heater in a wet location like a bucket or tote where it may be in sitting in water.**

## 120 volt vs 240 volt (North American)

### Portable Electric Heater with the Portable Baptistry™

**120V Heats Up in 24 to 36 hours ≈ 1°F per hour**

**240V Heats Up in 6 to 8 hours ≈ 4°F per hour**

**NOTE:** 240v is more powerful, yet 120v outlets are more common to locate and thus 120v is generally more convenient to use. 120v is also more feasible to operate with extension cords.

Most Portable Baptistry users set up the Portable Baptistry 24 to 36 hours ahead of baptism time, so 95% of users will operate the Portable Electric Heater on 120v for convenience.

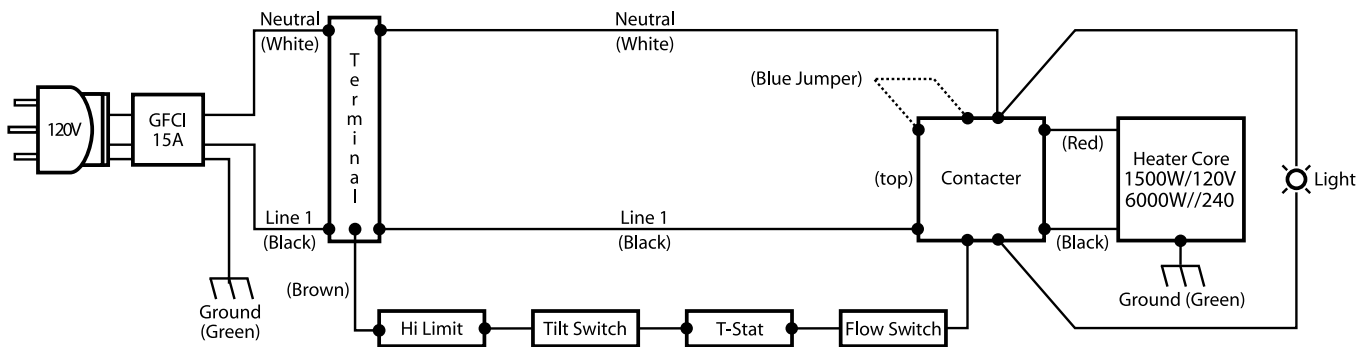
**WARNING: TO AVOID ELECTRIC SHOCK AND INJURY, ALL REPAIRS AND MODIFICATIONS TO THE HEATER SHOULD ONLY BE DONE BY A QUALIFIED ELECTRICAL PROFESSIONAL.**

**IMPORTANT:** The 240v power cord must be 4 wire, 8 or 10 AWG (Black, White, Red & Green Wires).

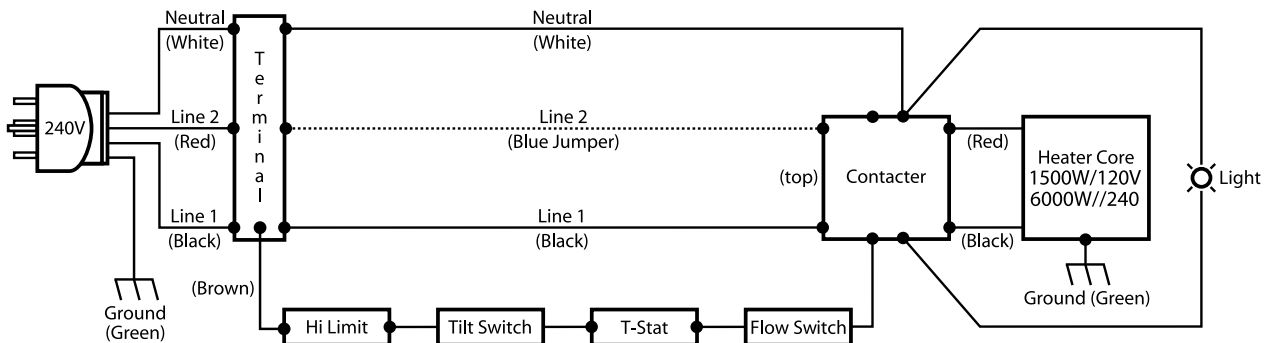
**IMPORTANT:** The 240v Plug must be 4 prong, 240v, 30A. (Twist-Lock Plug & Outlet recommended.)

**IMPORTANT:** The 240v Breaker in your Breaker Panel must be 30A and must be GFCI Protected.

**US 120V Configuration: 1500W 12.5A with 12 Gage, 3 Wire, 3 Prong, 120V Plug, GFCI Protected  
Requires 120V 15A or 20A Breaker in Breaker Panel**

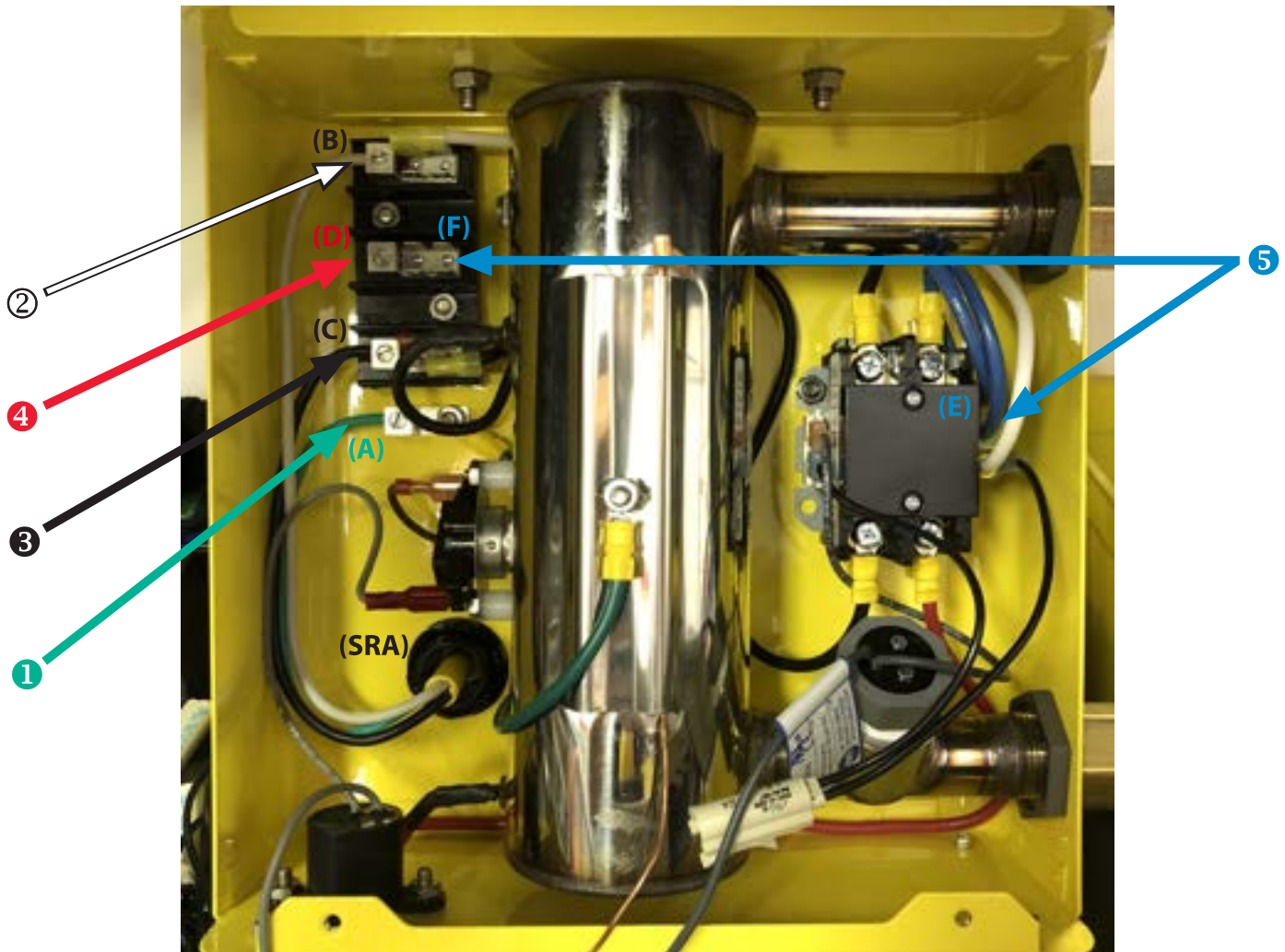


**US 240V Conversion: 6000W 25A with 10 Gage, 4 Wire, 4 Prong, 240V Plug  
Requires 240V 30A GFCI Protected Breaker in Breaker Panel**





## North American (US) 240 volt Heater



● **WARNING: TO AVOID ELECTRIC SHOCK AND INJURY, ALL REPAIRS AND MODIFICATIONS TO THE HEATER SHOULD ONLY BE DONE BY A QUALIFIED ELECTRICAL PROFESSIONAL.**

**IMPORTANT:** The 240v power cord must be 4 wire, 8 to 10 AWG (with Black, White, Red & Green Wires). The 240v Plug must be 4 prong, 240v, 30A. (Use a Twist-Lock Plug and Outlet configuration for best connection.)

**NOTE:** 1) To access the inside of the Heater Enclosure, remove the Front Cover by removing only the 2 screws located at the bottom front of the Heater.

2) To remove the 120v power cord and replace with the 240v power cord, loosen and reuse the watertight Strain Relief Adapter (SRA).

- 1 The Green Ground Wire from the 240v power cord connects into the Ground Block (A) in place of the connected Green Ground Wire of the 120v power cord.
- 2 The White Neutral Wire from the 240v power cord connects into the **left-side, upper screw terminal (B)** of the Terminal Block in place of the connected White Neutral Wire of the 120v power cord.
- 3 The Black Line Wire from the 240v Power Cord connects into the **left-side, lower screw terminal (C)** of the Terminal Block in place of the connected Black Line Wire of the 120v power cord.
- 4 The Red Line Wire from the 240v Power Cord connects into the unused **left-side, middle screw terminal (D)** of the Terminal Block.
- 5 Remove the Blue Jumper from the right-side of Contactor (E) and connect onto the **middle spade terminal (F)** of the Terminal Block where the Red Line Wire is located.

# Troubleshooting Guide

Symptom	Possible Cause & Action Required
The water coming out of the Heater Outlet Hose feels cold.	<p>▶ This is normal. The Portable Baptistry Heater heats the whole Portable Baptistry (500 gal.) at a rate of 1°F per hour on 110v (4°F per hour on 220v) and to the touch a person cannot detect that degree of temperature difference.                      If the Red Light on the front of the Heater is aglow and the Thermal Cover is floating on the surface of the water, the Heater is heating the Baptistry.                      Set the Thermostat Knob to High.                      With the Floating Thermometer that came with your Portable Baptistry or Baptistry Heater Universal Kit, check the water temperature when you start and again in a few hours and you will see the increase in temperature at a rate of 1°F per hour on 110v (4°F per hour on 220v).                      Example: On 110v, at a temperature rise of 1°F per hour, if you start the Heater with the water temperature at 60°F, you will need 25 hours to reach a comfortable baptism temperature of 85°F.</p>
The Portable Baptistry Heater has been running for 4 hours and the water still feels cold to the touch.	<p>▶ This is also normal. The Portable Baptistry Heater heats the whole Portable Baptistry (500 gal.) at a rate of 1°F per hour on 110v (4°F per hour on 220v) and to the touch a person cannot detect that degree of temperature difference.                      If the Red Light on the front of the Heater is aglow and the Thermal Cover is floating on the surface of the water, the Heater is heating the Baptistry.                      Set the Thermostat Knob to High.                      With the Floating Thermometer that came with your Portable Baptistry or Baptistry Heater Universal Kit, check the water temperature when you start and again in a few hours and you will see the increase in temperature at a rate of 1°F per hour on 110v (4°F per hour on 220v).                      Example: On 110v, at a temperature rise of 1°F per hour, if you start the Heater with the water temperature at 60°F, you will need 25 hours to reach a comfortable baptism temperature of 85°F.</p>
The Red Light on the front of the Portable Baptistry Heater is not aglow and no water is coming out of the hose into the Portable Baptistry.	<p>▶ The Circulation Drain Pump is not connected to the Heater with the Hoses, or it is not plugged in and running water thru the Heater.</p>
The Red Light on the front of the Portable Baptistry Heater is not aglow but water is flowing thru the Heater.	<p>▶ Set the Thermostat Knob to High.                      Is the Circulation Drain Pump connected to the Heater with both Hoses, and running water thru the Heater, or is the water running thru the Heater coming directly from the faucet?                      It should be circulating via the Pump with both the Inlet and Outlet Hoses connected, and not running thru the Heater with just one Hose, and not directly from the Faucet.</p>
Is the GFCI light aglow on the end of the heater cord?	<p>▶ If not, try a different outlet circuit. If that does not resolve the issue, contact <a href="http://PortableBaptistry.com">PortableBaptistry.com</a> for possible replacement of the GFCI.</p>
Is the Pump you are using the original pump that came with you Portable Baptistry or the Baptistry Heater Universal Kit, and are the Inlet and Outlet Hoses the 2 original Hoses?	<p>▶ The Pump and Hoses should be the same specifications as the originals for proper Circulation Loop setup.  <b>IMPORTANT:</b> Do not use a Pump greater than 1/4 HP. The Inlet Hose must be the same length and diameter as the Outlet Hose and with no kinks.</p>
Is there a Filter connected to the Hose in the Circulation Loop returning water to the Baptistry?	<p>▶ If so, remove it from Circulation Loop and use the Filter attached directly to the Pump for approx. 3-4 hours operating time, separate from the Heating Setup.</p>
Have you ever started up the Baptistry Heater with hot tap water already in the Portable Baptistry, or run hot water directly from the tap thru the Portable Baptistry Heater?	<p>▶ If so, an internal Hi-limit Reset may need to be reset. Contact <a href="http://PortableBaptistry.com">Portable Baptistry.com</a> for easy instructions.</p>
The Portable Baptistry Heater was running all night and the water is cold.	<p>▶ If the Red Light on the front of the Heater is aglow and Thermal Cover is floating on the surface of the water, the Heater is heating the Baptistry.                      Set the Thermostat Knob to High.                      With the Floating Thermometer that came with your Portable Baptistry or Baptistry Heater Universal Kit, check the water temperature when you start and again in a few hours and you will see the increase in temperature at a rate of 1°F per hour on 110v (4°F per hour on 220v).                      Example: On 110v, at a temperature rise of 1°F per hour, if you start the Heater with the water temperature at 60°F, you will need 25 hours to reach a comfortable baptism temperature of 85°F.</p>
My Baptistry Heater didn't work the last time we used it.	<p>▶ Following the above Troubleshooting List, isolate the Heater Setup with a simple controlled test known as the Bucket Test using a small bucket of water to serve as the Baptistry.                      You will have a result within 10 minutes.</p>
<p>To download a fresh copy of the Portable Baptistry Heater User Guide to print or bookmark for future reference please go to: <a href="http://www.portablebaptistry.com/user">http://www.portablebaptistry.com/user</a>                      For direct assistance please call <a href="http://PortableBaptistry.com">PortableBaptistry.com</a> at 1-800-931-2226.</p>	

# Limited Warranty

## **Congratulations!**

Your purchase of this Portable Baptistry Heater clearly demonstrates your appreciation of excellence. You have selected a state-of-the-art product, completely unique to the Baptistry market today. Please take a few moments to carefully read this important ownership and warranty information.

## **Limited Warranty**

PortableBaptistry.com warrants the Portable Baptistry, components and replacement parts to be free from any and all defects in material and workmanship for a period of one (1) year from the date of purchase, except where otherwise stated herein. Upon receipt and inspection, PortableBaptistry.com will repair or replace, at its sole discretion, any component returned during the warranty period subject to the following terms and conditions:

1. Original proof of purchase is required for this warranty to apply. Proof of purchase consists of a copy of the original dated sales receipt/invoice with your returned component.
2. As determined by PortableBaptistry.com, this warranty does not apply to damage resulting from negligence, abuse, normal wear, or any defect or non-conformity caused by improper or unreasonable use, including but not limited to color fading, cuts, punctures, abrasions, wrinkles, brittleness of the Baptistry Liner, as well as any component(s) deterioration due to exposure to the elements.
3. PortableBaptistry.com shall not be liable for any damages to persons or property as a result of use of the Portable Baptistry, including but not limited to building structures and interiors.
4. This warranty does not apply to the cost of shipping & handling of the Portable Baptistry component(s) for warranty claim.
5. This warranty is in effect only when the Portable Baptistry has been purchased for private use; commercial use is not covered under this warranty.
6. Certain components, such as the Submersible Pump, the Portable Step, and the Baptistry Liner, have their own individual warranties that this warranty does not supersede.

PortableBaptistry.com makes no warranties other than the warranties described above.

## **Directions for warranty claim**

For a warranty claim contact: PortableBaptistry.com, 12314 Beverly Park Rd, Suite 119, Lynnwood, WA 98087, 425-348-3333.

Before shipping any Portable Baptistry component(s) for warranty claim, you must obtain a Return Merchandise Authorization number (RMA#) from PortableBaptistry.com. Please write the RMA# on the outside of the shipping package, clearly legible with the shipping label. We recommend shipping your Portable Baptistry component(s) insured for the full replacement purchase price.

Please send Portable Baptistry component(s) needing repair to:

PortableBaptistry.com  
12314 Beverly Park Rd, Suite 119  
Lynnwood, WA 98087

Please allow up to four (4) to six (6) weeks for the processing of any warranty claim.

## **Repair Service**

PortableBaptistry.com offers a repair service for damaged Portable Baptistry component(s) not covered by the Limited Warranty. For current repair and replacement part info, contact PortableBaptistry.com



For questions regarding the proper use and safe operation of the Portable Baptistry Electric Heater, or the converting from 120v to 240v US, contact [PortableBaptistry.com](http://PortableBaptistry.com) at 1-800-931-2226.

